

Getting Started With QKS

Federico Mari, PhD
Computer Science Department



SAPIENZA
UNIVERSITÀ DI ROMA

mclab

<http://mclab.di.uniroma1.it/>



Summer School on Formal Methods for Cyber-Physical Systems
Edition 2017: Automatic Synthesis of Controllers for Hybrid Systems

September 12—16, 2017
CS Dept, University of Verona (Italy)

Docker QKS Demo

- Download QKS docker image:

```
$ docker pull mclab/qks-demo
```

- Run it:

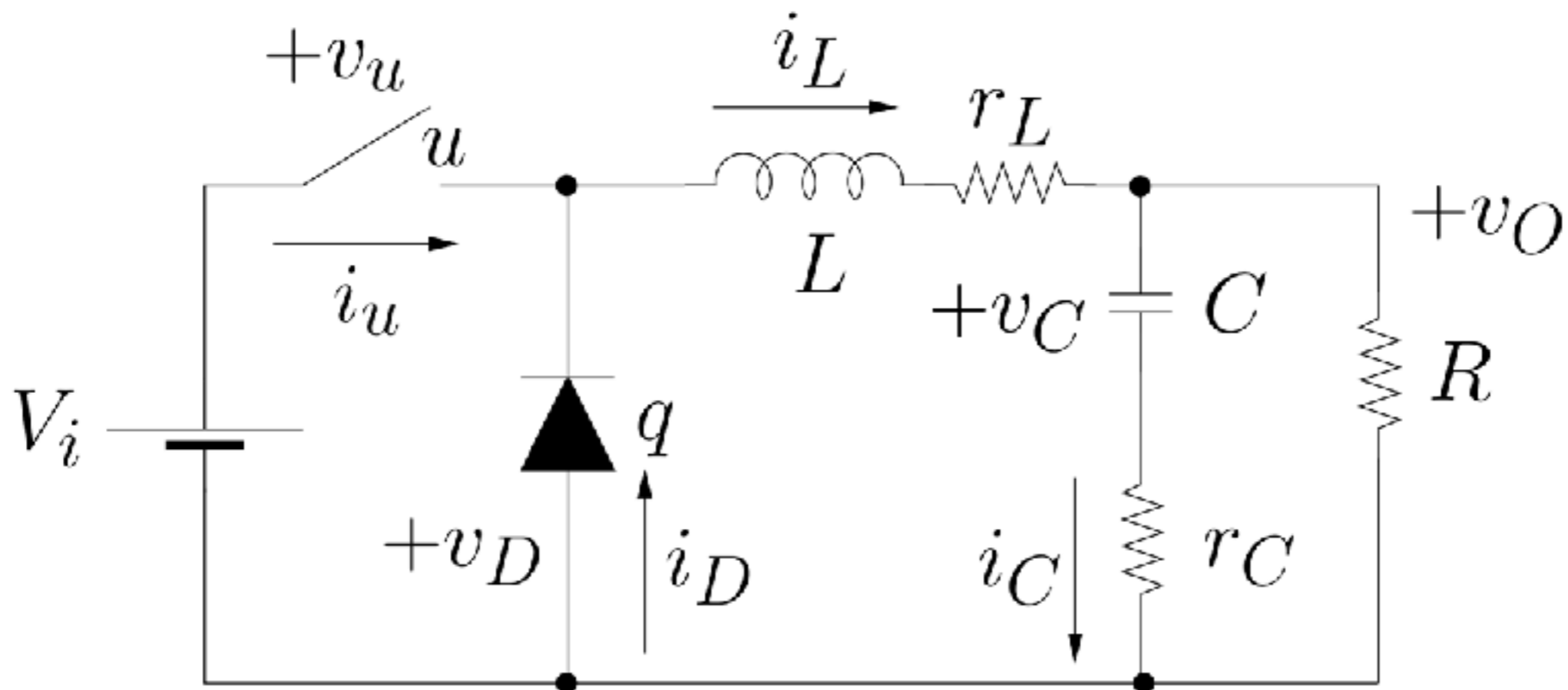
```
$ docker run --rm -it -v $PWD:/home/qks/work mclab/qks-demo
```

Current working directory will be mapped inside container under `/home/qks/work`.

The working directory inside container after starting it is `/home/qks`

Modelling with QKS

Buck DC-DC converter



`/home/qks/examples/buck.m`

Modelling with QKS: Syntactic Sugar

- Constants

Const

```
T: 1e-6; // sampling time
...
lb_iL: -4; // lower bound for state variable iL
ub_iL: 4; // upper bound for state variable iL
...
```

- Types

Types

```
iL_interval: [lb_iL, ub_iL]; // real valued range
boolean: 0 .. 1; // integer valued range
...
```

Modelling with QKS: Variables

- State (X component of DTLHS tuple)

```
Statevars // state variables must have real types
  iL: iL_interval;
  v0: v0_interval;
```

- Input (U component of DTLHS tuple)

```
Inputvars // input variables must have integer types
  u: boolean;
```

- Output

```
Outputvars // output variables must have integer types
  yiL: lb_yiL .. ub_yiL;
  yv0: lb_yv0 .. ub_yv0;
```

Modelling with QKS: Predicates

- Transition relation (N component of DTLHS tuple)

```
Trans
  Exists
    // auxiliary variables
    q: boolean,
    iD: [-1000, 1000],
    ...
  {
    iL' = (1 + T * a_11) * iL + (T * a_12) * v0 + (T * a_13) * vD;
    ...
  };
```

- Desired controllable region (I component of DTLHS tuple)

```
ControllableRegion
  init_lb_iL <= iL & iL <= init_ub_iL;
  init_lb_v0 <= v0 & v0 <= init_ub_v0;
```

- Goal region (G component of DTLHS tuple)

```
Goal
  goal_lb_iL <= iL & iL <= goal_ub_iL;
  goal_v0_ref - goal_v0_tol <= v0 & v0 <= goal_v0_ref + goal_v0_tol;
```

Modelling with QKS: Quantization

- Observation relation

Const

```
...
// AD conversion with 9 bits
lb_yiL: 0;
ub_yiL: 511; // 2^9 - 1
lb_yv0: 0;
ub_yv0: 511; // 2^9 - 1
delta_iL : (ub_iL - lb_iL) / (ub_yiL - lb_yiL + 1);
delta_v0 : (ub_v0 - lb_v0) / (ub_yv0 - lb_yv0 + 1);
```

Observability introduced in DTLHS formulation for the on-the-fly algorithm

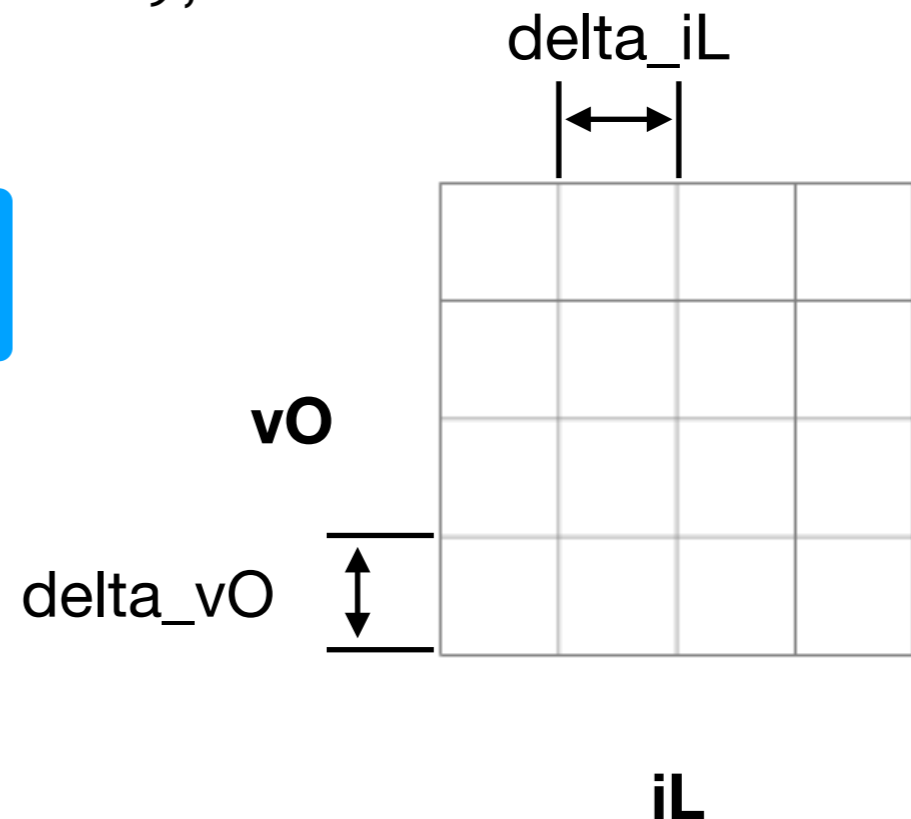
...

Observation

Exists

```
diL: [0, delta_iL],
dv0: [0, delta_v0]
{
  iL = lb_iL + delta_iL * yiL + diL;
  v0 = lb_v0 + delta_v0 * yv0 + dv0;
};
```

quantization



Running QKS

```
$ cd work
$ mkdir input output
$ cp ../examples/buck.m input/model.m
$ qks -d input -dk output -v 2 # original algorithm
$ qks -d input -dk output -v 2 -np 4 # parallel algorithm with 4 processes
$ qks -d input -dk output -v 2 -non_mgo # small controller
$ qks -d input -dk output -v 2 -on_the_fly # on-the-fly synthesis
```

-v sets the
verbosity level

Input directory with file
model.m.
Different file names with
-l non_std_name.m

Output directory

Options for different
QKS variants.
Default is the original
algorithm

QKS output

- Controller OBDD:

`ctrl.blif`

- Controller C code:

`ctrl.h`
`ctrl.c`

Note: QKS for generating small software will produce `ctrl.macro.[ch]` instead

- Gnuplot file generating controllable region picture:

`ctrl_reg.strong_ctrl.gnuplot`

Simulating Buck DC-DC Converter

```
$ cp -r ../sim/buck sim
$ cd sim
$ cp ../output/ctrl.[ch] Resources/Include/
$ omc run.mos # evolution of variables will be put into ClosedLoop_res.csv
```

Open Modelica Compiler
Closed loop model: closed_loop.mo
Plant model: plant.mo

The Modelica logo features a stylized, grey, cursive letter 'm' with a red dot above it. Below the 'm', the word 'MODELICA' is written in a bold, black, sans-serif font, with each letter spaced out.

Now You Try

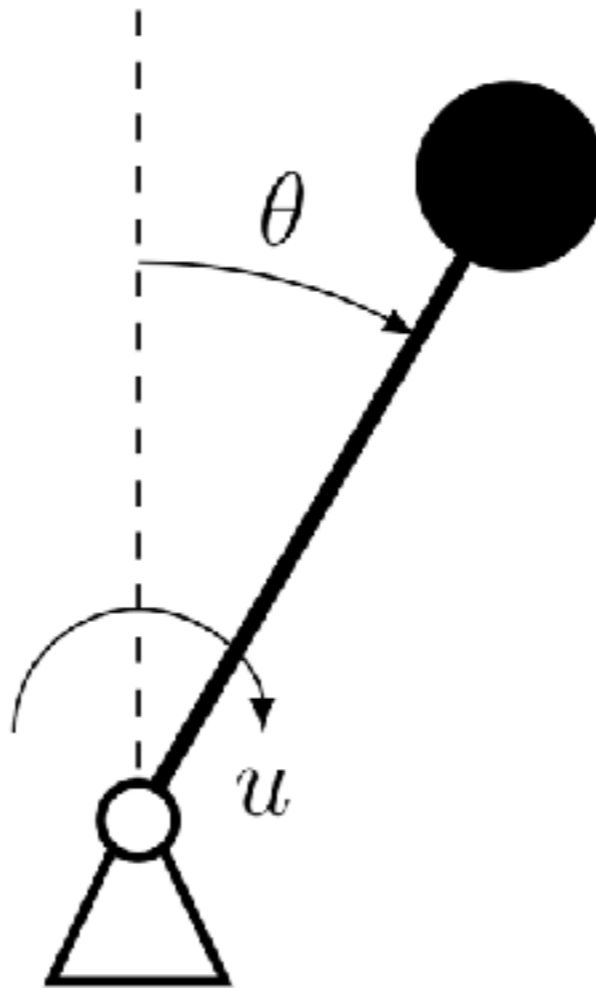
Too big: computation time very large
Too small: quantization precision very low

- Try to change number of **quantization bits** and **sampling time** to find different controllers

Too small: control software may not have time to execute
Too big: control software could not succeed in controlling the closed loop

Modelling non-linear systems

Inverted Pendulum with fixed pivot



```
/home/qks/examples/pendulum.[mc]
```

Modelling non-linear systems

- Additional section with non-linear functions declaration

Functions

```
sin : 1 : (2 * pi); // function of 1 argument and period 2 * pi
```

If nonlinear function is non periodic it is “nonlin : 1;”

- Additional C input file with function definitions together with corresponding definitions of Lipschitz constant estimators.

```
double sin(double x) {...}  
double sin_lipschitz(double a, double b) { return 1; }
```

No need to define sin since it is a standard C function

- Declared functions can be used in predicate definitions

```
x2' = x2 + T * ((g / l) * sin(x1, 0.1) -  
    (mu / (m*l*l)) * x2 + (1 / (m*l*l)) * mult_u * u);
```

// the second “argument” of sin is maximum allowed linearisation error

More details in  <https://bitbucket.org/mclab/linearizer-benchmark>

lin4qks | QKS

```
$ cd work  
$ mkdir input output  
$ lin4qks -i ../examples/pendulum.m -f ../examples/pendulum.c -o input/model.m -m 100 -v 2  
$ qks -d input -dk output -v 2
```

Simulating Inverted Pendulum

```
$ cp -r ../sim/pendulum sim
$ cd sim
$ cp ../output/ctrl.[ch] Resources/Include/
$ omc run.mos # evolution of variables will be put into ClosedLoop_res.csv
```

Now You Try

- Try to change the **linearization error**
- Try to change the **Lipschitz estimator**
- Try to change the number of **sampling points for lin4qks**
- Try to change the **pendulum model** (e.g., torquing force multiplier, ...). This requires also the same variation in the Modelica model for simulations.

Real Experiments

- Docker image is just a demo
- For running experiments there is a **linux binary distribution of QKS** available on BitBucket and on MCLab website (software)



<https://bitbucket.org/mclab/qks/>

